



### Bladder accumulator series EBV – CE

#### Construction

Bladder accumulator with sieve plate, pressure vessel of forged steel, seamless, heavy duty gas inlet valve, detachable.

#### Charge pressure PO

Between 0,9 P1 and 0,2 P2  
Other pressure ratios on request.

#### Temperature range

Standard model -20 °C to +80 °C  
Other ranges on request.

#### Volumetric flow Q

The max. values given in the selection table apply only for a vertical installation (hydraulic assembly downwards).  
For horizontal installation or higher flow rates please contact OLAER.

#### Hydraulic fluids

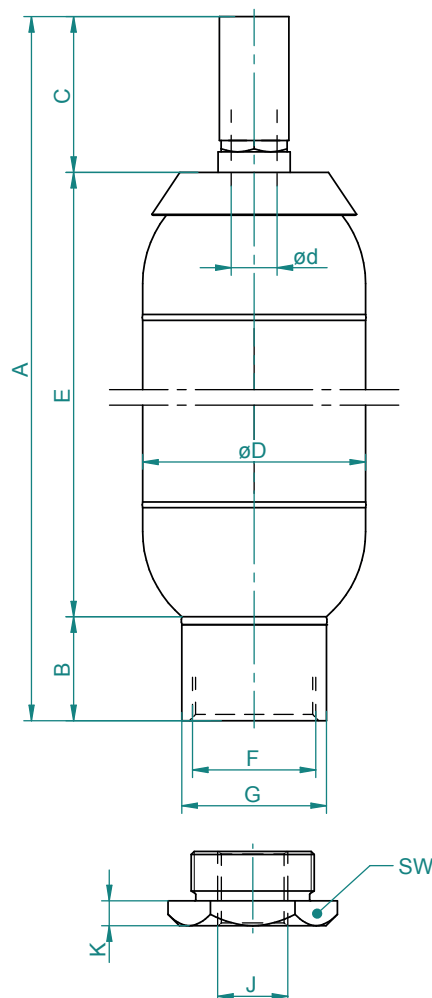
Hydraulic oil (mineral oil)  
Other mediums, such as biodegradable hydraulic oil, non-flammable liquids, water, emulsions, fuels, ect. should be specified at the time of ordering.

#### Installation

Vertical (hydraulic assembly downwards) to horizontal.  
Leave a space of 200 mm free above the gas inlet valve for attaching the tester and pressurizer instrument.

#### Method of mounting

Clamps and brackets with rubber core, or mounting set, see data sheet OSP 775 and OSP 780 "Accumulator-Accessories".



Model	Gasvol. V0 liter	Work pressure bar	Weight kg	Q max. l/min	Dimensions in mm											
					A	B	C	ø D	ø d	E	F	ø G	ø H	SW	J	K
EBV 0,5 – 50 / 00 *	0,5	50	3	450	245	52	28	90	16	163	G 2"	68	G 1"	13	65	8
EBV 1 – 80 / 00 *	1	80	5	450	310	47	65	116	22	194	G 2"	68	G 1"	13	65	8
EBV 2,5 – 80 / 90	3	80	10	450	484	47	65	116	22	366	G 2"	68	G 1"	13	65	8
EBV 5 – 80 / 90	5	80	17	450	867	47	65	116	22	749	G 2"	68	G 1"	13	65	8

## Spare parts lists

Models: EBV 0,5 – EBV 5 liter

Pos.	Part
1	Bladder assembly ød*
2	Bladder
3	Gas inlet valve assembly
4	Valve cap and gasket
5	Gas inlet valve and gasket
6	Nut
7	Protective cap
8	Sieve plate
9	Snap ring
10	Gasket assembly (contains all gaskets)
11	Flat seal
12	O-ring

## Important informations

- Certification: EBV series accumulators are manufactured, tested and documented according to the pressure equipment directive 97/23/EC. Other certifications on demand.
- The technical data on the manufacturer's nameplate must be indicated on the order.
- The accumulator shell is not available as a spare part.
- Quality code used for the bladder.
- \* ød should be specified at the time of ordering.

Example:

d = ø 16 mm

EBV 0,5

d = ø 22 mm

EBV 1 - 5

