



Bladder accumulator series EBV – CE

Construction

Bladder accumulator with sieve plate, pressure vessel of steel, welded, heavy duty gas inlet valve, detachable.

Charge pressure PO

Between 0,9 P1 and 0,2 P2, but not higher than the operating pressure.

Other pressure ratios on request.

Temperature range

Standard model -20 °C to +100 °C

Other ranges on request.

Volumetric flow Q

The max. values given in the selection table apply only for a vertical installation (hydraulic assembly downwards).

For horizontal installation or higher flow rates please contact OLAER.

Hydraulic fluids

Hydraulic oil (mineral oil)

Other mediums, such as biodegradable hydraulic oil, non-flammable liquids, water, emulsions, fuels, ect. should be specified at the time of ordering.

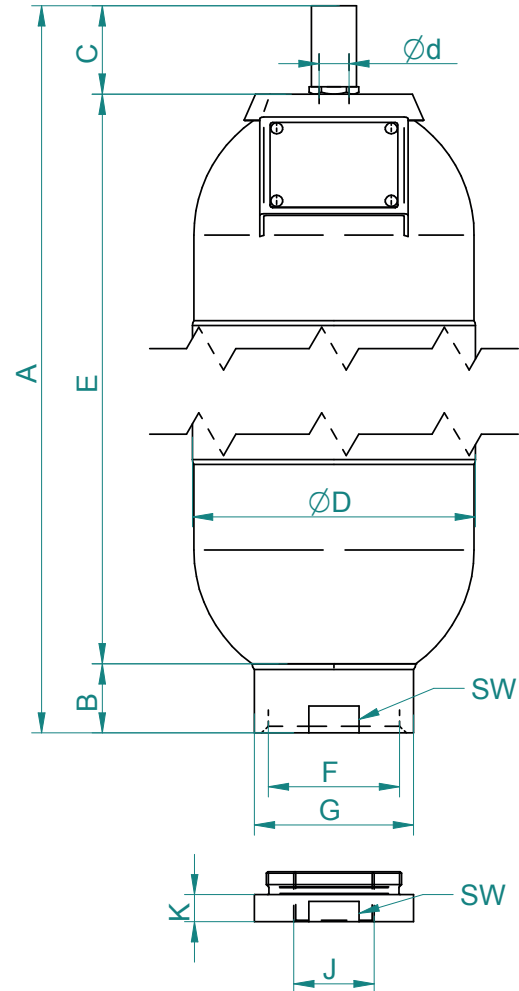
Installation

Vertical (hydraulic assembly downwards) to horizontal.

Leave a space of 200 mm free above the gas inlet valve for attaching the tester and pressurizer instrument.

Method of mounting

Clamps and brackets with rubber core, or mounting set, see data sheet OSP 775 and OSP 780 "Accumulator-Accessories".



Model	Gasvol. V0 liter	Work pressure bar	Weight kg	Q max. l/min	Dimensions in mm										
					A	B	C	Ø D	Ø d	E	F	Ø G	J	K	SW
EBV 10 – 40 / 90	10	40	13	900	454	51	75	212	22	328	G 3½"	120	G 2"	20	112
EBV 20 – 40 / 90	18	40	22	900	774	51	75	212	22	648	G 3½"	120	G 2"	20	112
EBV 32 – 40 / 90	34	40	37	900	1307	51	75	212	22	1181	G 3½"	120	G 2"	20	112
EBV 50 – 40 / 90	50	40	51	900	1829	51	75	212	22	1703	G 3½"	120	G 2"	20	112

Spare parts lists

Models: EBV 10 – EBV 50 liter

Pos.	Part
1	Bladder assembly ød*
2	Bladder
3	Gas inlet valve assembly
4	Valve cap and gasket
5	Gas inlet valve and gasket
6	Nut
7	Protective cap
8	Sieve plate
9	Snap ring
10	Gasket assembly (contains all gaskets)
11	Flat seal
12	O-ring
13	O-Ring

Important informations

- Certification: EBV series accumulators are manufactured, tested and documented according to the pressure equipment directive 97/23/EC. Other certifications on demand.
- The technical data on the manufacturer's nameplate must be indicated on the order.
- The accumulator shell is not available as a spare part.
- Quality code used for the bladder.
- * ød should be specified at the time of ordering.

Example:

d = ø 22 mm EBV 10 to EBV 50

