

tapflo®

# CTP PLASTIC CENTRIFUGAL PUMPS

2020 | 2



» All about your flow™

[www.tapflo.com](http://www.tapflo.com)

## » All about your flow™

*We began our journey 40 years ago in Kungälv, a small town on the Swedish west coast, as a family company with an ambition to one day become a global player on the pump market.*

Since 1980, we have taken pride in delivering a wealth of knowledge and passion for pumps to the industry, whilst supplying a wide range of premium products for various industrial applications.

Over the years, the company has developed into a global Tapflo Group with branches and distributors present in nearly every region of the world.

One thing did not change - we are still a family company.

Our solutions are designed and manufactured in Europe and distributed globally to offer the best service and flow solutions to our customers for a variety of applications.

Our values, Commitment, Quality and Simplicity are reflected both in our product and business approach.



**For fast and flexible service and high-quality products readily available worldwide, choose Tapflo.**

## Quality commitment

At Tapflo we are simply committed to quality. As a result, our production standards, as well as products quality, comply with various globally recognised certification and quality control standards. The Tapflo manufacturing process is certified according to ISO 9001:2015, confirming that our processes are appropriate, effective, customer-focused and continuously improved.



## Tapflo values

Our culture is concluded in Our values

### Commitment

We are different from our competitors because of our willingness to exceed the customers' expectations, move fast and be flexible. Our culture is based on the spirit of togetherness, enthusiasm and integrity. We come from all over the world but we share the same values and we respect each other. We are committed.

### Quality

We understand that the quality in our work is never better than the weakest link, that's why we focus on every small detail. We share a common passion for continuously finding more efficient and effective ways to provide value to our customers. As a manufacturer we have control of the complete process both in terms of our products and the way we operate internally. That is why we manufacture the highest quality pumps in our segment.

### Simplicity

We have a saying, "Simple is art" which means we try to find smooth and uncomplicated solutions in everything. By keeping it simple we can focus on the essential, like designing uncomplicated pumps with few components. For us it is a key to success; strive to simplify what is complex.

# CTP Plastic Pumps

The CTP pumps are semi-open impeller single stage centrifugal pumps. Since there are no metal parts on the liquid side, the pumps are ideal for chemical transfer and circulation duties. CTP is a compact and reliable mechanically sealed centrifugal pump made in PP and PVDF. It is the right solution for liquids containing solid particles.



CTP32



CTP50

## Wide range of applications

### Transfer of chemicals

Transfer of various chemicals from storage tanks to smaller containers.

### Surface treatment

Transfer, filtering and circulation of surface treatment baths.

### Food and beverage

Pumping of CIP detergent used for cleaning of pipes and other food process equipment.

### Water treatment

Fluid transfer in water treatment installations.

### Chemical manufacture

Pumping of chemicals in industrial detergent equipment.

### Demineralization

Demi-water circulation and transfer in many industrial applications.

### Photo processing

Transfer of photo development chemicals and inclusion in processing machines.

### Liquid crystal manufacture

Pumping of concentrated acids and alkalis.

## Features & Benefits

- ✓ **Mechanical seal**  
spring on dry side and thereby not exposed to the pumped liquid; different seal face materials available to suit various applications
- ✓ **PP & PVDF wetted materials**  
Can handle highly corrosive liquids
- ✓ **No metal parts in contact with the liquid**
- ✓ **Semi-open impeller**  
Allows pumping liquids with particles up to  $\varnothing$  3 mm
- ✓ **Few parts**  
Low maintenance, easy to handle
- ✓ **Optional flange and hose connections**

# Robust and compact design

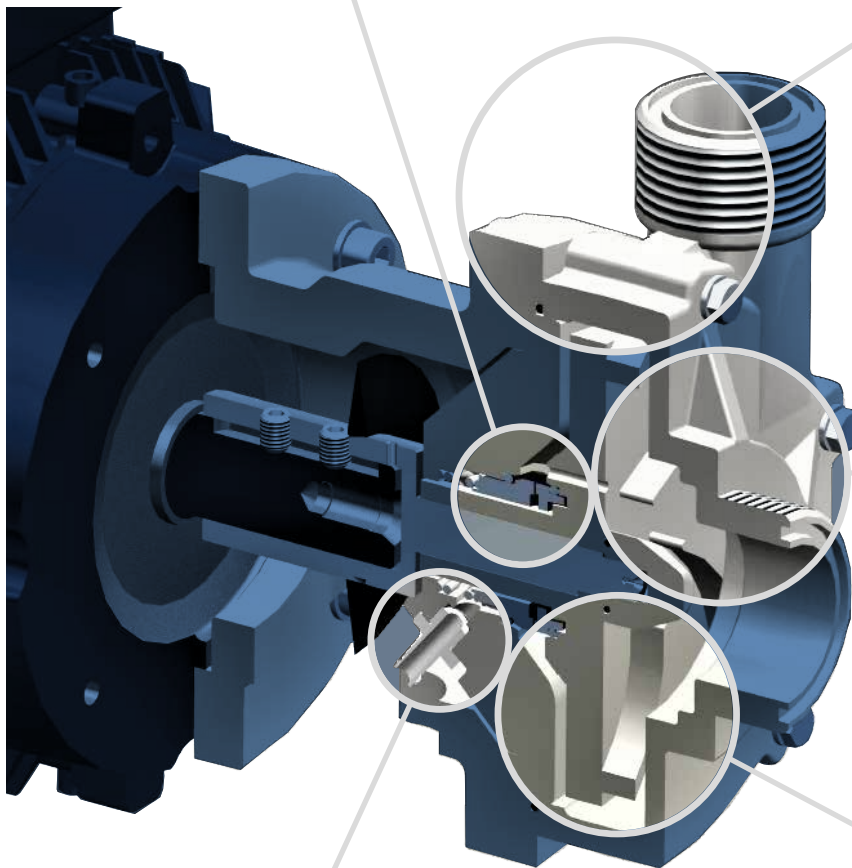
## Mechanical seal

The **spring is located on the dry side of the pump** therefore all metallic parts are protected against contact with the liquid. This means no elastic bellow is required.



## PP & PVDF wetted materials

Can handle highly corrosive liquids also containing solids and metallic particles. Pumps can handle high temperature liquids alkali and acids. The version in **PP-GF** (glass fibre reinforced polypropylene) provides great mechanical strength and allows liquid temperatures **up to 70°C**. The **PVDF** (polyvinylidene fluoride) version has superior chemical resistance and allows temperatures **up to 90°C**.



## Chemically resistant pumps

The wetted components are non-metallic injection moulded thermoplastics enabling **excellent corrosion resistance**.

The **shaft is protected by means of a plastic sleeve** and nut compatible with the pump housing material.

## Safety drain

The special revision hole in the back casing provides a **drainage from the mechanical seal in case any leakage occurs**. This prevents the motor and shaft from getting into contact with the pumped liquid. The PVDF barb connector allows plug a hose and route the liquid out of the pump.

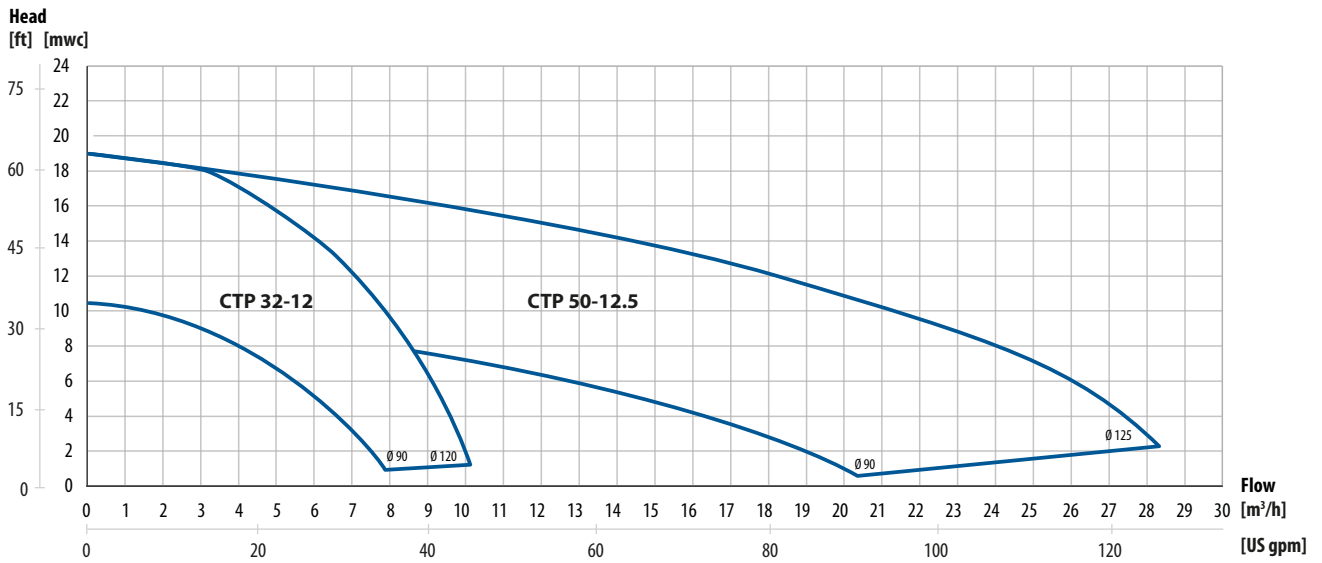
## Semi open impeller

Allows pumping liquids with particles up to **Ø 3 mm and 10% in concentration**. A semi open impeller also **improves the transfer of liquids with higher viscosity**.

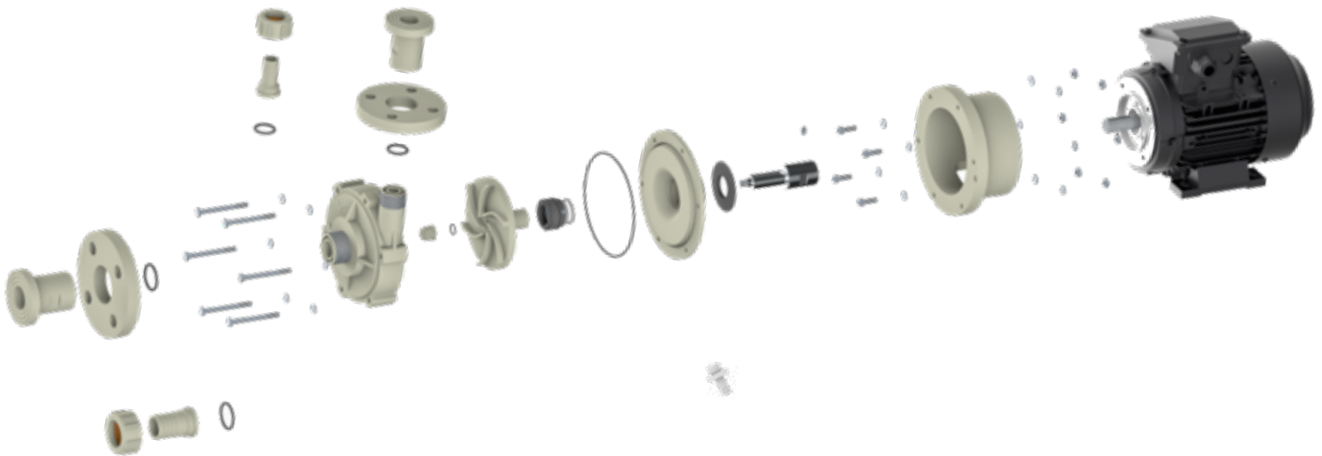


## Performance curves

The performance curves are based on water. (T=20 °C,  $\rho=1000 \text{ kg/m}^3$ , n=2900 rpm)



## Technical data



## Materials and limits

<b>Casing</b>	PP-GF (30%) or PVDF
<b>Back casing</b>	PP or PVDF
<b>Impeller</b>	PP or PVDF
<b>Lantern (not wetted)</b>	PP
<b>Mechanical seal</b>	Rotating part: SiC or Graphite, Stationary part: SiC, Spring: AISI 316
<b>O-rings</b>	EPDM, FFKM, FEP/FKM
<b>Shaft</b>	AISI 316L stainless steel (standard) or Hastelloy® C-276
<b>Motor</b>	IEC standard, 3-phase, 2-pole, IP55
<b>Pressure rating</b>	PP pumps: PN6 at 20°C; PN2 at 70°C; PVDF pumps: PN6 at 20°C; PN2 at 90°C
<b>Temperature</b>	PP pumps: 0°C - 70°C; PVDF pumps: 0°C - 90°C
<b>Viscosity</b>	max ~200 cSt

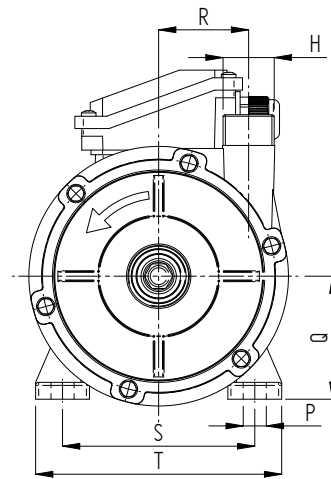
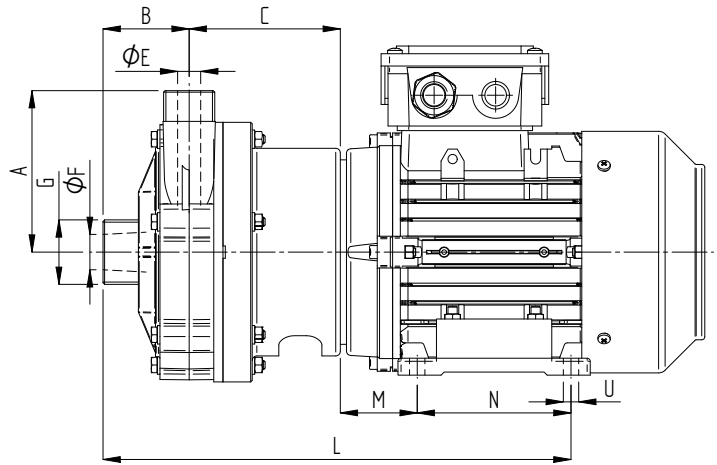
<sup>1</sup>Hastelloy® C is a registered trademark of Haynes International, Inc.

\* others available on request

# Dimensions

Dim	Pump model			
	CTP32		CTP50	
Motor				
Power	0,75 kW	1,1 kW	3 kW	4 kW
Size	80		100	112
A	105		110	
B	56		54	
C	98		125	
øE	15		30.8	
øF	23		42	
G	G 1¼"		G 2"	
H	G 1"		G 1½"	
L	304		382	389
M	50		63	70
N	100		140	
P	15		12	
Q	80		100	112
R	58.5		52	
S	125		160	190
T	160		184	219
U	10		12	
Flange connection DIN (optional)				
Inlet	DN32		DN50	
Outlet	DN25		DN40	
Flange connection ANSI (optional)				
Inlet	1¼"		2"	
Outlet	1"		1½"	
Hose connection (optional)				
Inlet	OD=32		OD=50	
Outlet	OD=25		OD=40	
Impeller				
Nominal diameter	ø120		ø125	

Dimensions in mm (where other is not indicated)



## CTP Pump code

I. CTP II. 32 - 12.5 III. P - 1SSV - 07 VII. P

I. CTP = Tapflo Mechanically Sealed Plastic Centrifugal pump

II. Pump size:

32 = Suction 1¼"; Discharge 1"

50 = Suction 2"; Discharge 1½"

III. Impeller size [mm]:

12 = 120 mm

12.5 = 125 mm

IV. Material:

P = PP (Polypropylene)

K = PVDF (Polyvinylidene fluoride)

V. Pump options:

1. Mechanical Seal

blank\* = Carbon/SiC/EPDM for PP

blank\* = SiC/SiC/FKM for PVDF

CSE = Carbon/SiC/EPDM

CSV = Carbon/SiC/FKM

SSV = SiC/SiC/FKM

SSF = SiC/SiC/FEP/FKM

2. O-rings:

blank\* = EPDM for PP; FKM for PVDF

E = EPDM

V = FKM

F = FEP/FKM

3. Shaft material:

blank\* = AISI 316L

H = Hastelloy C-276<sup>1</sup>

4. Optional connections

blank\* = BSP thread

A = ANSI flange

F = DIN flange

H = Hose connection

5. Other options:

I = Optional impeller diameter [mm]

VI. Motor power / IEC mechanical size:

07 = 0,75 kW (mechanical size 80)

11 = 1,1 kW (mechanical size 80)

30 = 3,0 kW (mechanical size 100)

40 = 4,0 kW (mechanical size 112)

VII. Motor options

P = 1-phase 220/230 VAC

V... = Different voltage

T = PTC motor protection

F60 = 60 Hz motor

\* = standard execution

<sup>1</sup>Hastelloy® C is a registered trademark of Haynes International, Inc.

Ask us for complete pump code with all available options and executions. Changes reserved without notice.

# Product range

## Diaphragm pumps & accessories

**NEW**



**Electrically operated pumps**



**PE & PTFE pumps**



**Metal pumps**




**Pharmaceutical pumps**



**Sanitary pumps**



**TC Intelligent pumps**



**Powder pumps**



**TF Filter press pumps**

**NEW**



**Steinle filter press pumps**



**Aseptic pumps**

**CERTIFIED**  
**ehedc**  
EUROPEAN HYGIENE DESIGN CERTIFICATION  
 TYPE EL  
 CLASS I  
 SEPTEMBER 2020

## Peristaltic Pumps



**Active pulsation dampeners**



**Systems & accessories**



**Trolleys**



**PT pumps**



**PTL pumps**

## Centrifugal pumps, filter units & accessories

**NEW**



**CTX centrifugal pumps**



**CTI & CTH centrifugal pumps**



**CTS self-priming centrifugal pumps**



**CTV vertical centrifugal pumps**



**CTP plastic centrifugal pumps**



**CTM magnetic drive centrifugal pumps**



**Trolleys**



**FT Filter units**

## Sweden

Filaregatan 4 | S-442 34 Kungälv

Tel: +46 303 63390

Fax: +46 303 19916

E-mail addresses:

Commercial questions: [sales@tapflo.com](mailto:sales@tapflo.com)

Orders: [order@tapflo.com](mailto:order@tapflo.com)

Tech support: [support@tapflo.com](mailto:support@tapflo.com)

## Tapflo products and services are available in 75 countries on 6 continents.

Tapflo is represented worldwide by own Tapflo Group Companies and carefully selected distributors assuring highest Tapflo service quality for our customers' convenience.

AUSTRALIA | AUSTRIA | AZERBAIJAN | BAHRAIN | BELARUS | BELGIUM | BOSNIA | BRAZIL | BULGARIA | CANADA | CHILE | CHINA | COLOMBIA | CROATIA | CZECH REPUBLIC | DENMARK | ECUADOR | EGYPT | ESTONIA | FINLAND | FRANCE | GREECE | GEORGIA | GERMANY | HONG-KONG | HUNGARY | ICELAND | INDIA | INDONESIA | IRAN | IRELAND | ISRAEL | ITALY | JAPAN | JORDAN | KAZAKHSTAN | KUWAIT | LATVIA | LIBYA | LITHUANIA | MACEDONIA | MALAYSIA | MEXICO | MONTENEGRO | MOROCCO | NETHERLANDS | NEW ZEALAND | NORWAY | POLAND | PORTUGAL | PHILIPPINES | QATAR | ROMANIA | RUSSIA | SAUDI ARABIA | SERBIA | SINGAPORE | SLOVAKIA | SLOVENIA | SOUTH AFRICA | SOUTH KOREA | SPAIN | SUDAN | SWEDEN | SWITZERLAND | SYRIA | TAIWAN | THAILAND | TURKEY | UKRAINE | UNITED ARAB EMIRATES | UNITED KINGDOM | USA | UZBEKISTAN | VIETNAM

## Tapflo Group Companies

### Australia

Tapflo Oceania (Pty) Ltd  
Tel: +61 1800 303 633  
[sales@tapflo.com.au](mailto:sales@tapflo.com.au)

### Austria

Tapflo Austria  
Tel: +43 732 27292910  
[sales@tapflo.at](mailto:sales@tapflo.at)

### Baltic States

Tapflo Latvia  
Tel: +371 67472205  
[sales@tapflo.lv](mailto:sales@tapflo.lv)

### Belarus

Tapflo Belarus  
Tel: +375 17 3934609  
[sales@tapflo.by](mailto:sales@tapflo.by)

### Belgium

Tapflo Benelux B.V.  
Tel: +31 (0)85 00 743 00  
[info@tapflo.nl](mailto:info@tapflo.nl)

### Bulgaria

Tapflo EOOD  
Tel: +359 (0)2 974 18 54  
[office@tapflo.bg](mailto:office@tapflo.bg)

### Canada

Tapflo Canada  
Tel: +1 514 813 5754  
[canada@tapflo.com](mailto:canada@tapflo.com)

### Croatia

Tapflo d.o.o.  
Tel: +385 91 4884 666  
[sales@tapflo.hr](mailto:sales@tapflo.hr)

### Czech Republic

Tapflo s.r.o.  
Tel: +420 513 033 924  
[tapflo@tapflo.cz](mailto:tapflo@tapflo.cz)

### China

Tapflo (Wuxi)  
Tel: +86 510 8241 7072  
[sales@tapflo.cn](mailto:sales@tapflo.cn)

### Denmark

Tapflo Danmark  
Tel: +45 36 454600  
[info@tapflo.dk](mailto:info@tapflo.dk)

### France

Tapflo France  
Tel: +33 1 34 78 82 40  
[info@tapflo.fr](mailto:info@tapflo.fr)

### Hungary

Tapflo kft.  
Tel: +36 30 148 8551  
[office@tapflo.hu](mailto:office@tapflo.hu)

### India

Tapflo Fluid Handling India Pvt Ltd  
Tel: +91 20 65000215  
[ac@tapflo.in](mailto:ac@tapflo.in)

### Ireland

Tapflo Ireland Ltd  
Tel: +353 1 2011911  
[info@tapflo.ie](mailto:info@tapflo.ie)

### Italy

Tapflo Italia  
Tel: +39 0362 306528  
[info@tapfloitalia.com](mailto:info@tapfloitalia.com)

### Japan

Tapflo Japan K.K.  
Tel: +81-3-6240-3510  
[tapflojp@tapflo.co.jp](mailto:tapflojp@tapflo.co.jp)

### Kazakhstan

Tapflo Kazakstan  
Tel: +7 727 3278347  
[sales@tapflo.kz](mailto:sales@tapflo.kz)

### Netherlands

Tapflo Benelux B.V.  
Tel: +31 (0)85 00 743 00  
[info@tapflo.nl](mailto:info@tapflo.nl)

### Poland

Tapflo Sp. z o.o.  
Tel: +48 58 530 42 12  
[info@tapflo.pl](mailto:info@tapflo.pl)

### Romania

S.C. Tapflo Rom. S.r.l.  
Tel: +40 21 3451255  
[sales@tapflo.ro](mailto:sales@tapflo.ro)

### Russia

Tapflo Company  
Tel: +7 495 232 18 28  
[sales@tapflo.com.ru](mailto:sales@tapflo.com.ru)

### Serbia

Tapflo d.o.o.  
Tel: +381 21 44 58 08  
[sales@tapflo.rs](mailto:sales@tapflo.rs)

### Slovakia

Tapflo s.r.o.  
Tel: +421 911 137 883  
[tapflo@tapflo.sk](mailto:tapflo@tapflo.sk)

### Slovenia

Tapflo GmbH  
Tel: +386 68 613 474  
[sales@tapflo.hr](mailto:sales@tapflo.hr)

### Spain

Tapflo Iberica  
Tel: +34 91 8093182  
[avives@tapfloiberica.es](mailto:avives@tapfloiberica.es)

### South Africa

Tapflo (Pty) Ltd  
Tel: +27 31 701 5255  
[sales@tapflo.co.za](mailto:sales@tapflo.co.za)

### Turkey

Tapflo Makina Ltd  
Tel: +90 216 467 33 11  
[sales@tapflo.com.tr](mailto:sales@tapflo.com.tr)

### Ukraine

TOB Tapflo  
Tel: +380 44 222 68 44  
[sales@tapflo.ua](mailto:sales@tapflo.ua)

### Uzbekistan

Tapflo Uzbekistan  
Tel: +998 712370940  
[sales@tapflo.uz](mailto:sales@tapflo.uz)

### United Kingdom

Tapflo (UK) Ltd  
Tel: +44 2380 252325  
[sales@tapflo pumps.co.uk](mailto:sales@tapflo pumps.co.uk)



If your country is not listed  
please visit  
[www.tapflo.com/en/contact](http://www.tapflo.com/en/contact)