



### Pressure vessels series DB – CE

#### Construction

Pressure vessel of forged steel, seamless

#### Temperature range

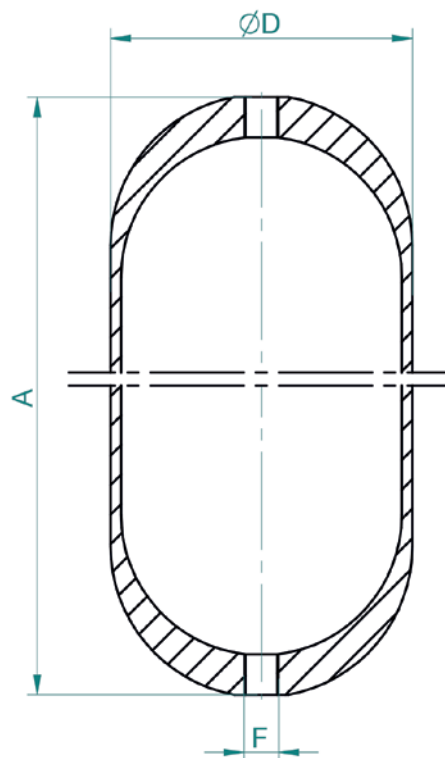
Standard model -40 °C to +80 °C

Other ranges on request.

#### Method of mounting

Clamps and brackets with rubber core, or mounting set, see data sheet OSP 775 and OSP 780

"Accumulator-Accessories".



| Models 350 bar    | Capacity V0<br>Liter | Work pressure<br>bar | Weight<br>kg | Dimensions in mm |     |    |
|-------------------|----------------------|----------------------|--------------|------------------|-----|----|
|                   |                      |                      |              | A                | ø D | F  |
| DB 1 – 350 / 90   | 1                    | 350                  | 5            | 196              | 115 | ¾" |
| DB 2,5 – 350 / 90 | 2,5                  | 350                  | 9            | 392              | 115 | ¾" |
| DB 3 – 350 / 90   | 3                    | 350                  | 11           | 450              | 115 | ¾" |
| DB 4 – 350 / 90   | 4                    | 350                  | 14           | 588              | 115 | 1" |
| DB 5 – 350 / 90   | 5                    | 350                  | 17           | 719              | 115 | 1" |

| Models 690 bar    | Capacity V0<br>Liter | Work pressure<br>bar | Weight<br>kg | Dimensions in mm |     |    |
|-------------------|----------------------|----------------------|--------------|------------------|-----|----|
|                   |                      |                      |              | A                | ø D | F  |
| DB 1 – 690 / 90   | 1                    | 690                  | 8            | 196              | 121 | ¾" |
| DB 2,5 – 690 / 90 | 2,5                  | 690                  | 14           | 392              | 121 | ¾" |
| DB 3 – 690 / 90   | 3                    | 690                  | 18           | 450              | 121 | 1" |
| DB 5 – 690 / 90   | 5                    | 690                  | 26           | 719              | 121 | 1" |

Issued in accordance with PED 97/23/EC with CE marked.

Additional approvals on request.

Manufacturer's tolerances not taken into account.

The right to make modifications reserved.