



### Pressure vessels series EHB

#### Construction

Pressure vessel of forged steel, seamless

#### Temperature range

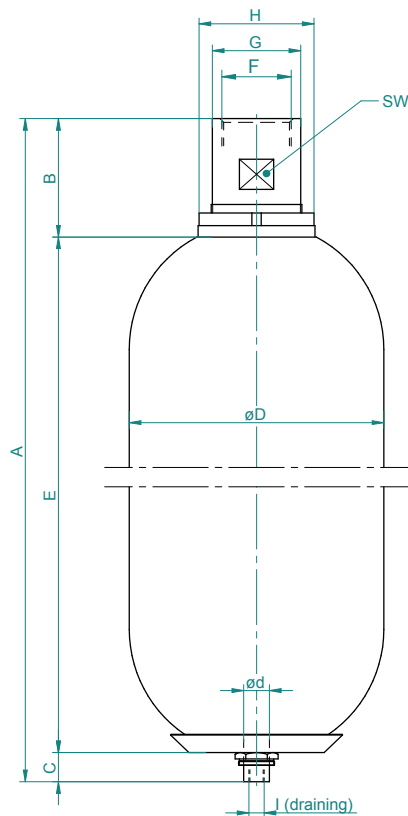
Standard model -15 °C to +80 °C

Other ranges on request.

#### Method of mounting

Clamps and brackets with rubber core, or mounting set, see data sheet OSP 775 and OSP 780

"Accumulator-Accessories".



Model	Capacity Liter	Work pressure bar	Weight kg	Q max. l/min	Dimensions in mm											
					A	B	C	ø D	ø d	E	F	ø G	ø H	SW	I	
EHB 0,5 – 350 / 00 *	0,6	350	2,5	240	250	54	20	91	16	176	G ¾"	36	50	32	G 1/8"	
EHB 1 – 350 / 90 *	1	350	5	240	291	54	30	115	22	207	G ¾"	36	50	32	G ¼"	
EHB 1,6 – 350 / 90	1,6	350	7	240	389	54	20	115	16	315	G ¾"	36	50	32	G 1/8"	
EHB 2,5 – 350 / 90	2,4	350	10	450	511	66	30	115	22	415	G 1¼"	53	68	50	G ¼"	
EHB 4 – 350 / 90	3,7	350	14	450	396	65	30	170	22	301	G 1¼"	53	68	50	G ¼"	
EHB 5 – 350 / 90	5	350	17	450	860	66	30	115	22	764	G 1¼"	53	68	50	G ¼"	
EHB 6 – 350 / 90	6	350	19	450	522	65	30	170	22	427	G 1¼"	53	68	50	G ¼"	
EHB 10 – 350 / 90 - L	10	350	29	450	787	65	30	170	22	692	G 1¼"	53	68	50	G ¼"	
EHB 10 – 330 / 90 - K	9,2	330	30	900	548	103	30	222	22	415	G 2"	76	101	70	G ¼"	
EHB 12 – 330 / 90	11	330	35	900	648	103	30	222	22	515	G 2"	76	101	70	G ¼"	
EHB 20 – 330 / 90	17,8	330	50	900	858	103	30	222	22	725	G 2"	76	101	70	G ¼"	
EHB 24 – 330 / 90	22,5	330	53	900	993	103	30	222	22	860	G 2"	76	101	70	G ¼"	
EHB 32 – 330 / 90	32	330	80	900	1383	103	30	222	22	1250	G 2"	76	101	70	G ¼"	
EHB 50 – 330 / 90	48,5	330	100	900	1904	103	35	222	22	1766	G 2"	76	101	70	G ¼"	

Issued in accordance with PED 97/23/EC with CE marked.

\*Issued in accordance with PED 97/23/EG, article 3 clause 3, without CE-marking.  
Manufacturer's tolerances not taken into account.

Additional approvals on request.

The right to make modifications reserved.