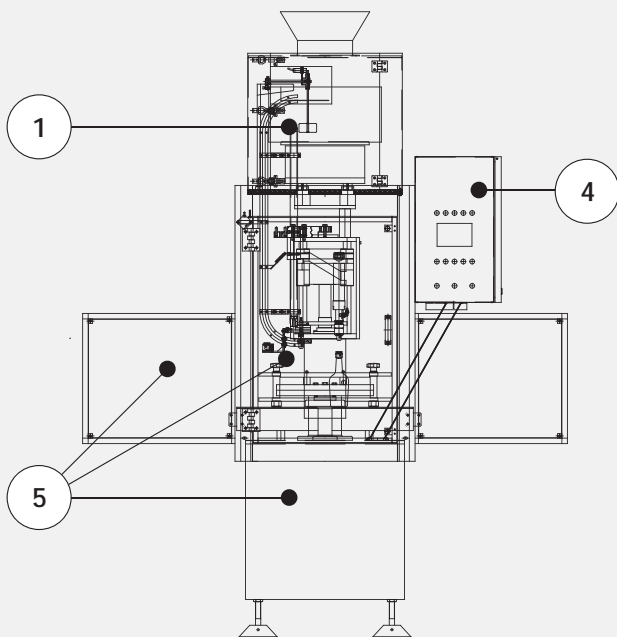


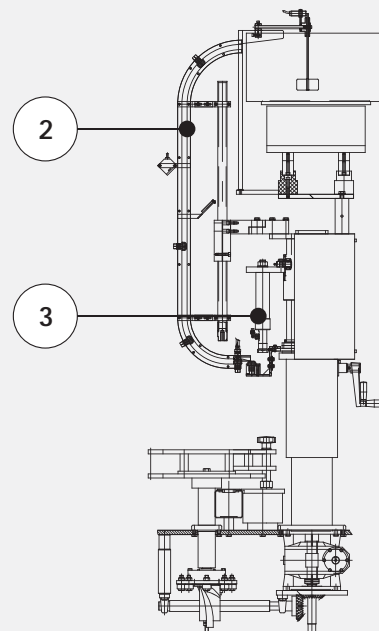


<b>SPEED PRODUCTION</b>	UP TO 50 BPM / 3.000 BPH
<b>MAIN MARKET</b>	WINE&SPIRITS • FOOD • CHEMICAL • PHARMACEUTICAL • PERSONAL CARE • HOME CARE
<b>CAPS APPLICATION</b>	PLASTIC PRESSURE CAPS, MUSHROOM PLASTIC CAPS, "T" CAPS WITH PLASTIC HEAD AND CORK BODY, "GUALA" PLASTIC PRESSURE CAPS
<b>CLOSURE HEADS</b>	CLOSURE CHUCK WITH QUICK CHANGE DEVICE • CLOSURE LOAD ADJUSTMENT
<b>VERSIONS</b>	
<b>STANDARD</b>	STRUCTURE WITH PAINTED STEEL COMPONENTS. NOT WASHABLE
<b>INOX EXTERNAL SURFACES (I.E.S.)</b>	EXTERNAL STAINLESS STEEL COMPONENTS. SUITABLE FOR WASHING OF THE CAPPING ZONE
<b>WASHABLE</b>	STAINLESS STEEL COMPONENTS. SUITABLE FOR COMPLETE WASHING (THANKS TO GASKETS AND LABYRINTHS) OF THE CORKER
<b>OPTIONS</b>	
<b>ON CAPS CHUTE</b>	OVERTURNED CAPS AUTOMATIC EJECTOR (A.E.D.) • CAPS WASHING • IONIZER/DUST EXTRACTION ON THE CAPS CHUTE • UV LAMP • BOTTLE NECK CLEANING
<b>QUICK FORMAT CHANGE</b>	SORTER (MANUAL OR AUTOMATIC) • CAPS CHUTE • PICK & PLACE • CONTAINERS HANDLING
<b>OTHER</b>	MOTORIZED HEIGHT ADJUSTMENT • CENTRALIZED LUBRICATION • MULTIBODY • CAPS ELEVATOR
<b>FT SYSTEM INSPECTIONS</b>	CAPS INSPECTION BEFORE CAPPING (QT) • CAPS/FOIL PRESENCE • CORRECT CAPS APPLICATION • FILLING LEVEL CONTROL • QUALITY CONTROL STATION (QCS: REMOVAL TORQUE TORQUE, FILL LEVEL, WEIGHT, O <sub>2</sub> , CO <sub>2</sub> , LEAK)

1. CAPS SORTER • 2. CAPS DISTRIBUTION • 3. CLOSURE HEADS • 4. ELECTRICAL BOARD • 5. SAFETY GUARDS



FREE STANDING EXECUTION



CAPPING TURRET ONLY EXECUTION



# CLOSYS EAGLE PP



Pluggger for press-on caps on ceramic container



Pluggger for flip top caps



Closure chuck with quick change device



**AROL**  
(Head Quarter)  
viale Italia, 193  
14053 CANELLI (AT) - ITALY  
ph. +39 0141 820500

**AROL HEXAGONE**  
16, Bd Kennedy  
34500 BEZIERS  
FRANCE  
ph. +33 4 67 98 93 53

**AROL GERMANY**  
Karl-Brauckmann-Str. 14  
59469 HOLZWICKEDE  
DEUTSCHLAND  
ph. +49 0 2301 949 3976

**AROL ESPAÑA**  
C/Llull, 321-329  
Edificio CINC  
08019 BARCELONA  
ESPAÑA  
ph. +34 933-091 646

**FT SYSTEM  
control & inspection**  
Via L. Da Vinci, 117  
29010 ALSENO (PC) - ITALY  
ph. +39 0523 949777

**AROL CHINA**  
意爱逻包装机械(上海)有限公司  
地址: 上海市松江区南乐路1276弄  
115号5幢102室厂201600中国  
电话: +86 021 57771952

**AROL INDIA**  
Pune IT Park, A 401/3,  
34 Aundh Road Bhau Patil Marg,  
Pune Maharashtra - 411 020 INDIA  
ph. +91 20 3939 5603

**AROL NORTH AMERICA**  
450 Satellite Blvd, NE  
SUWANEE, GEORGIA 30024 - USA  
ph. +1 678 318 1290

**AROL LATIN AMERICA**  
Bosque Radiatas #18, Oficina 502  
Col. Bosques de las Lomas,  
Cuajimalpa  
C.P.05120, México, D.F., MÉXICO  
ph. +52 (55) 1327-8618/8817

**AROL BRASIL**  
Pça. Alfa de Centauro, Nº 54 -  
1º andar - sala 111  
Centro de Apoio II Alphaville -  
Santana do Parnaíba -  
São Paulo (SP) - CEP 06541 075  
BRASIL  
ph. +55 11 4156-2176