



Bladder accumulator in stainless steel series EBV – RF – CE

Construction

Bladder accumulator with sieve plate, welded pressure vessel, all metallic parts in stainless steel, heavy duty gas inlet valve, detachable.

Charge pressure PO

Between 0,9 P1 and 0,2 P2
Other pressure ratios on request.

Temperature range

Standard model -20 °C to +100 °C
Other ranges on request.

Volumetric flow Q

The max. values given in the selection table apply only for a vertical installation (hydraulic assembly downwards).
For horizontal installation or higher flow rates please contact OLAER.

Hydraulic fluids

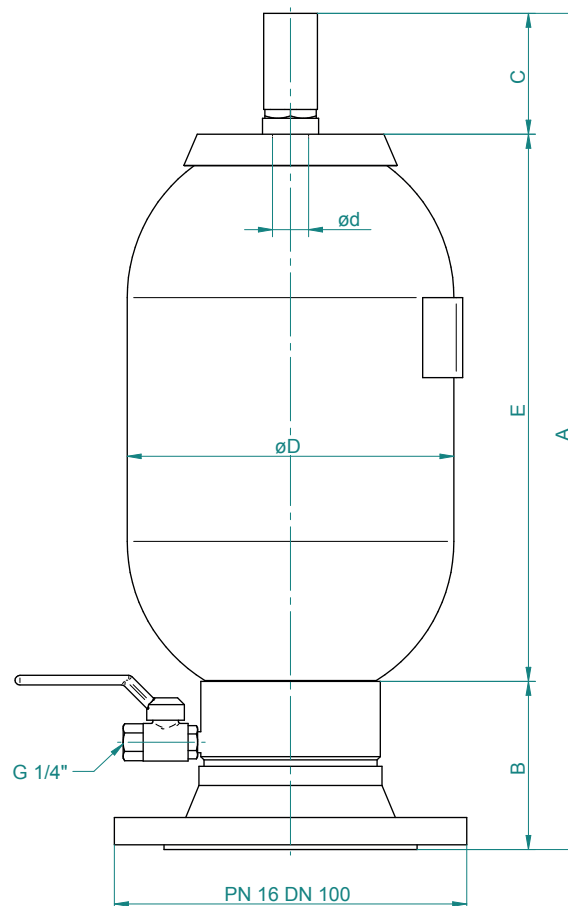
Hydraulic oil (mineral oil)
Other mediums, such as biodegradable hydraulic oil, non-flammable liquids, water, emulsions, fuels, ect. should be specified at the time of ordering.

Installation

Vertical (hydraulic assembly downwards) to horizontal.
Leave a space of 200 mm free above the gas inlet valve for attaching the tester and pressurizer instrument.

Method of mounting

Clamps and brackets with rubber core, or mounting set, see data sheet OSP 775 and OSP 780 "Accumulator-Accessories".



Model	Gasvol. V0 liter	Work pressure bar	Weight kg	Q max. l/min	Dimensions in mm						
					A	B	C	ø D	ø d	E	K
EBV 10 – 16 / 90 RF	8,5	16	12	900	524	105	80	206	22	339	8
EBV 20 – 16 / 90 RF	18,2	16	16	900	855	105	80	206	22	670	8
EBV 32 – 16 / 90 RF	34	16	22	900	1392	105	80	206	22	1207	8
EBV 50 – 16 / 90 RF	50	16	29	900	1905	105	80	206	22	1720	8

Spare parts lists

Models: EBV 10 – EBV 50 liter

Pos.	Part
1	Bladder assembly ød*
2	Bladder
3	Gas inlet valve assembly
4	Valve cap and gasket
5	Gas inlet valve and gasket
6	Nut
7	Protective cap
8	Gland ring
9	Sieve plate
10	Snap ring
11	Ball valve

Important informations

- Certification: EBV series accumulators are manufactured, tested and documented according to the pressure equipment directive 97/23/EC. Other certifications on demand.
- The technical data on the manufacturer's nameplate must be indicated on the order.
- The accumulator shell is not available as a spare part.
- Quality code used for the bladder.
- * ød should be specified at the time of ordering.

Example:

d = ø 22 mm EBV 10 to EBV 50

