



Bladder accumulator series EHV – CE

Construction

Bladder accumulator with hydraulic valve, pressure vessel of forged steel, seamless, heavy duty gas inlet valve, detachable.

Charge pressure PO

Between 0,9 P1 and 0,2 P2
Other pressure ratios on request.

Temperature range

Standard model -20 °C to +80 °C
Other ranges on request.

Volumetric flow Q

The max. values given in the selection table apply only for a vertical installation (hydraulic assembly downwards).
For horizontal installation or higher flow rates please contact OLAER.

Hydraulic fluids

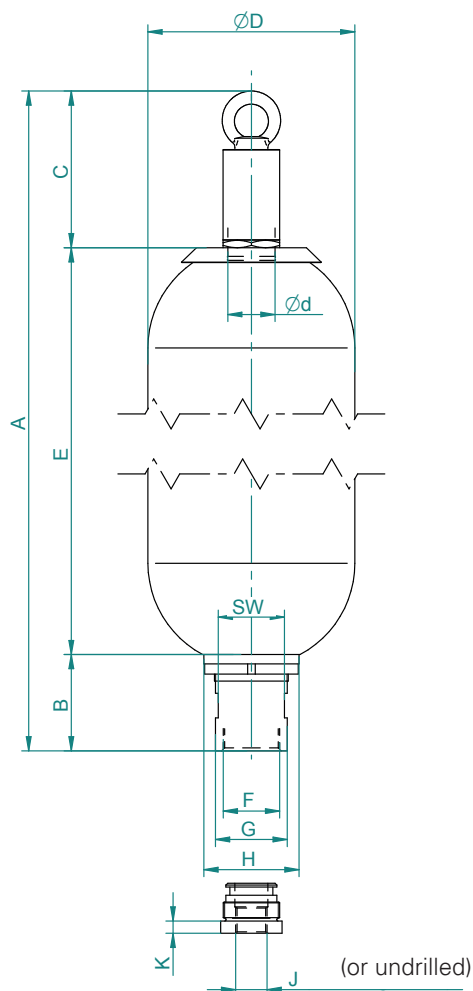
Hydraulic oil (mineral oil)
Other mediums, such as biodegradable hydraulic oil, non-flammable liquids, water, emulsions, fuels, ect. should be specified at the time of ordering.

Installation

Vertical (hydraulic assembly downwards) to horizontal.
Leave a space of 200 mm free above the gas inlet valve for attaching the tester and pressurizer instrument.

Method of mounting

Clamps and brackets with rubber core, or mounting set, see data sheet OSP 775 and OSP 780 "Accumulator-Accessories".



Model	Gasvol. V0 liter	Work pressure bar	Weight kg	Q max. l/min	Dimensions in mm												
					A	B	C	ø D	ø d	E	F	ø G	ø H	SW	J	K	
EHV 1 - 690 / 90	1,1	690	9	360	376	68	69	122	22	239	G 1"	48	68	45	G ½"	10	
EHV 2,5 - 690 / 90	2,4	690	15	360	551	68	69	122	22	414	G 1"	48	68	45	G ½"	10	
EHV 5 - 690 / 90	5	690	29	360	900	68	69	122	22	763	G 1"	48	68	45	G ½"	10	
EHV 12 - 690 / 90	11	690	97	900	768	84	166*	261	50	518	G 2"	82	110	77	G 1"	15	
EHV 20 - 690 / 90	18,8	690	134	900	978	84	166*	261	50	728	G 2"	82	110	77	G 1"	15	
EHV 32 - 690 / 90	35,2	690	227	900	1500	84	166*	261	50	1250	G 2"	82	110	77	G 1"	15	
EHV 50 - 690 / 90	49,2	690	318	900	2015	84	166*	261	50	1765	G 2"	82	110	77	G 1"	15	

* A special lifting adapter is necessary.

Spare parts lists

Models: EHV 1 – EHV 50 liter

Pos.	Part
1	Bladder assembly ød*
2	Bladder
3	Gas inlet valve assembly
4	Valve cap and gasket
5	Gas inlet valve and gasket
6	Nut
7	Protective cap
8	Hydraulic valve sub-assembly complete
9	Anti-extrusions ring / retention washer
10	Gland ring
11	Ring nut
12	Hydraulic valve sub-assembly
13	Gasket assembly (contains all gaskets)
14	Flat seal
15	O-ring
16	O-ring
17	Retaining ring
18	O-ring
19	Retaining ring

Important informations

- Certification: EHV series accumulators are manufactured, tested and documented according to the pressure equipment directive 97/23/EC. Other certifications on demand.
- The technical data on the manufacturer's nameplate must be indicated on the order.
- The accumulator shell is not available as a spare part.
- Quality code used for the bladder.
- * ød should be specified at the time of ordering.

Example:

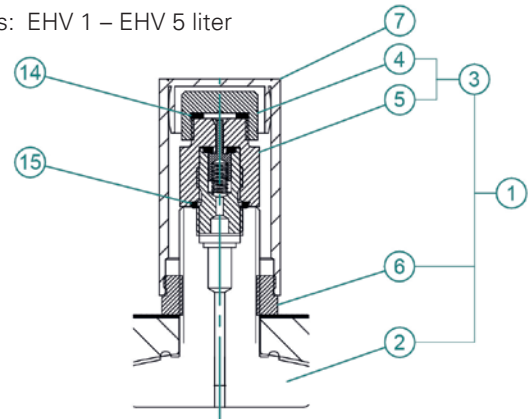
d = ø 22 mm

EHV 1 to EHV 5

d = ø 50 mm

EHV 12 to EHV 50

Models: EHV 1 – EHV 5 liter



Models: EHV 12 – EHV 50 liter

