



### Bladder accumulator series EHV – CE

#### Construction

Bladder accumulator with hydraulic valve, pressure vessel of forged steel, seamless, heavy duty gas inlet valve, detachable.

#### Charge pressure PO

Between 0,9 P1 and 0,2 P2  
Other pressure ratios on request.

#### Temperature range

Standard model -20 °C to +80 °C  
Other ranges on request.

#### Volumetric flow Q

The max. values given in the selection table apply only for a vertical installation (hydraulic assembly downwards).  
Use Series DA accumulators for higher volumetric flows.

#### Hydraulic fluids

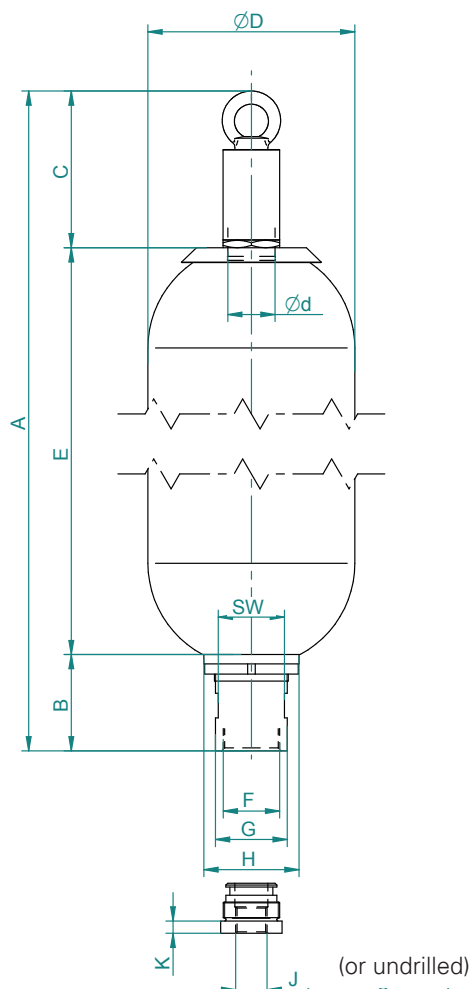
Hydraulic oil (mineral oil)  
Other mediums, such as biodegradable hydraulic oil, non-flammable liquids, water, emulsions, fuels, ect. should be specified at the time of ordering.

#### Installation

Vertical (hydraulic assembly downwards) to horizontal.  
Leave a space of 200 mm free above the gas inlet valve for attaching the tester and pressurizer instrument.

#### Method of mounting

Clamps and brackets with rubber core, or mounting set, see data sheet OSP 775 and OSP 780 "Accumulator-Accessories".



Model	Gasvol. V0 liter	Work pressure bar	Weight kg	Q max. l/min	Dimensions in mm												
					A	B	C	ø D	ø d	E	F	ø G	ø H	SW	J	K	
EHV 12 - 760 / 90	11	760	97	900	768	84	166	261	50	518	G 2"	82	110	77	G 1"	15	
EHV 20 - 760 / 90	18,8	760	134	900	978	84	166	261	50	728	G 2"	82	110	77	G 1"	15	
EHV 32 - 760 / 90	35,2	760	227	900	1500	84	166	261	50	1250	G 2"	82	110	77	G 1"	15	
EHV 50 - 760 / 90	49,2	760	318	900	2015	84	166	261	50	1765	G 2"	82	110	77	G 1"	15	

## Spare parts lists

Models: EHV 12 – EHV 50 liter

Pos.	Part
1	Bladder assembly ød*
2	Bladder
3	Gas inlet valve assembly
4	Valve cap and gasket
5	Gas inlet valve and gasket
6	Nut
7	Protective cap
8	Hydraulic valve sub-assembly complete
9	Anti-extrusions ring / retention washer
10	Gland ring
11	Ring nut
12	Hydraulic valve sub-assembly
13	Gasket assembly (contains all gaskets)
14	Flat seal
15	O-ring
16	O-ring
17	Retaining ring
18	O-ring
19	Retaining ring

### Important informations

- Certification: EHV series accumulators are manufactured, tested and documented according to the pressure equipment directive 97/23/EC. Other certifications on demand.
- The technical data on the manufacturer's nameplate must be indicated on the order.
- The accumulator shell is not available as a spare part.
- Quality code used for the bladder.
- \* ød should be specified at the time of ordering.

Example:

d = ø 50mm

EHV 12 to EHV 50

Models: EHV 12 – EHV 50 liter

