



Bladder accumulator series EHV – CE

Construction

Bladder accumulator with hydraulic valve, pressure vessel of forged steel, seamless, heavy duty gas inlet valve, detachable.

Charge pressure PO

Between 0,9 P1 and 0,2 P2
Other pressure ratios on request.

Temperature range

Standard model -20 °C to +80 °C
Other ranges on request.

Volumetric flow Q

The max. values given in the selection table apply only for a vertical installation (hydraulic assembly downwards).
Use Series DA accumulators for higher volumetric flows.

Hydraulic fluids

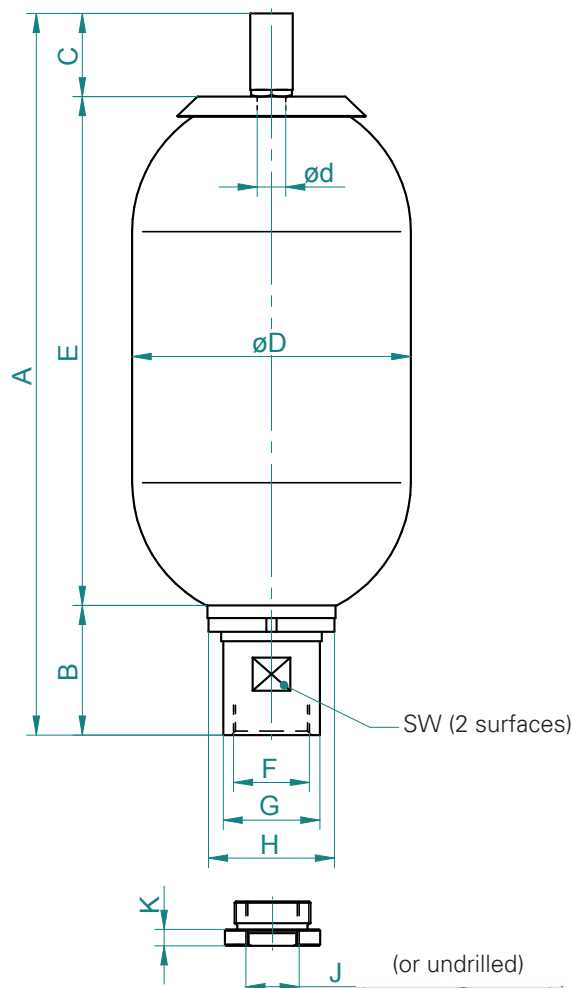
Hydraulic oil (mineral oil)
Other mediums, such as biodegradable hydraulic oil, non-flammable liquids, water, emulsions, fuels, ect. should be specified at the time of ordering.

Installation

Vertical (hydraulic assembly downwards) to horizontal.
Leave a space of 200 mm free above the gas inlet valve for attaching the tester and pressurizer instrument.

Method of mounting

Clamps and brackets with rubber core, or mounting set, see data sheet OSP 775 and OSP 780 "Accumulator-Accessories".



Model	Gasvol. V0 liter	Work pressure bar	Weight kg	Q max. l/min	Dimensions in mm										
					A	B	C	ø D	ø d	F	ø G	H	SW	J	K
EHV 10 - 480 / 90 - K	9,2	480	33	900	593	103	74	228	22	G 2"	70	101	70	G 1"	13
EHV 12 - 480 / 90	11	480	43	900	693	103	74	228	22	G 2"	70	101	70	G 1"	13
EHV 20 - 480 / 90	17,8	480	63	900	903	103	74	228	22	G 2"	70	101	70	G 1"	13
EHV 32 - 480 / 90	32	480	97	900	1428	103	74	228	22	G 2"	70	101	70	G 1"	13
EHV 50 - 480 / 90	48,5	480	132	900	1967	103	99	228	50	G 2"	70	101	70	G 1"	13

Spare parts lists

Models: EHV 10 – EHV 50 liter

Pos.	Part
1	Bladder assembly ød*
2	Bladder
3	Gas inlet valve assembly
4	Valve cap and gasket
5	Gas inlet valve and gasket
6	Nut
7	Protective cap
8	Hydraulic valve sub-assembly complete
9	Anti-extrusions ring / retention washer
10	Gland ring
11	Ring nut
12	Hydraulic valve sub-assembly
13	Gasket assembly (contains all gaskets)
14	Flat seal
15	O-ring
16	O-ring
17	Retaining ring
18	O-ring

Important informations

- Certification: EHV series accumulators are manufactured, tested and documented according to the pressure equipment directive 97/23/EC. Other certifications on demand.
- The technical data on the manufacturer's nameplate must be indicated on the order.
- The accumulator shell is not available as a spare part.
- Quality code used for the bladder.
- * ød should be specified at the time of ordering.

Example:

d = ø 22 mm EHV 10 to EHV 32
d = ø 50 mm EHV 50

Models: EHV 10-K – EHV 50 Liter

